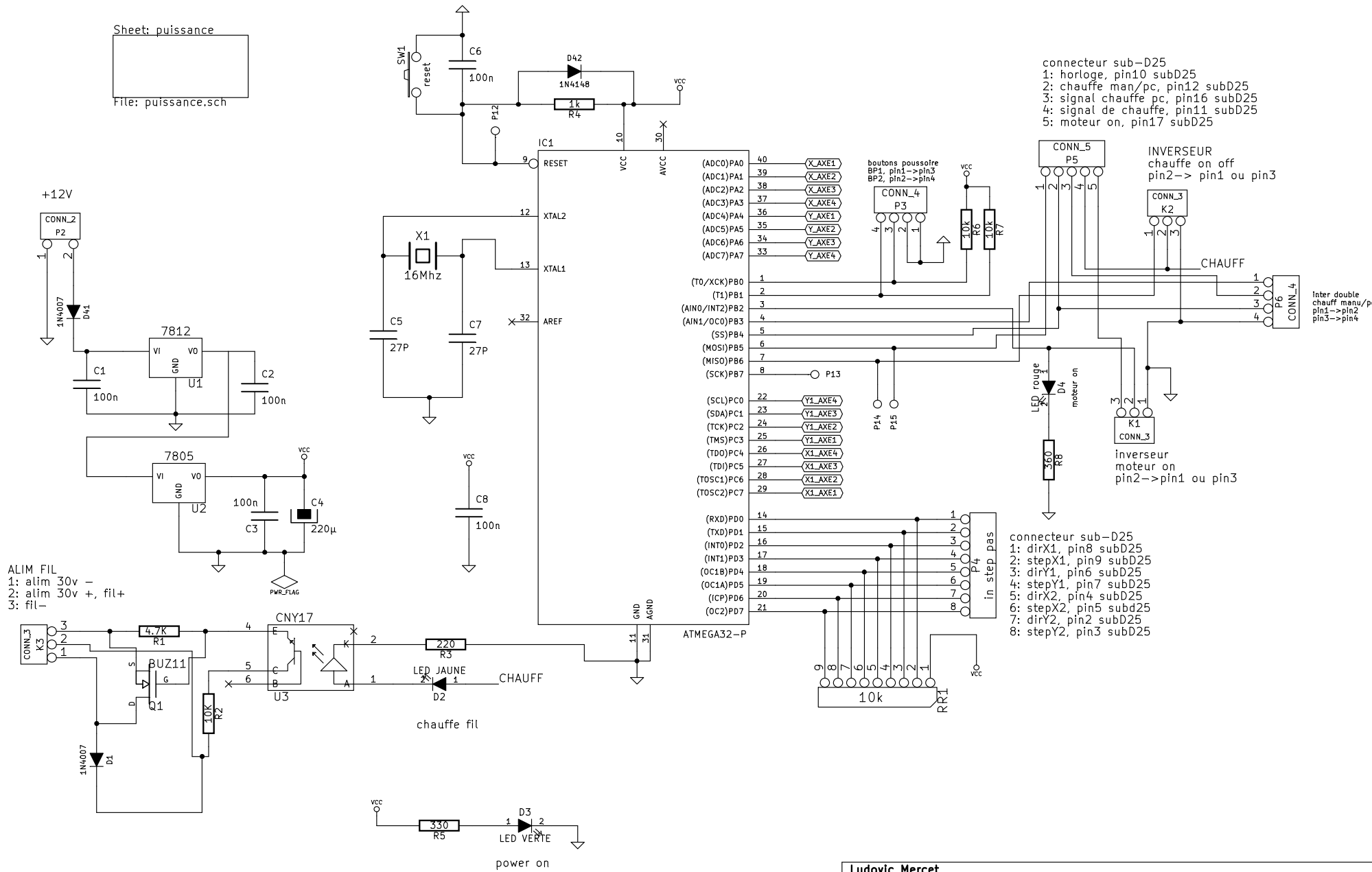


Sheet: puissance  
File: puissance.sch



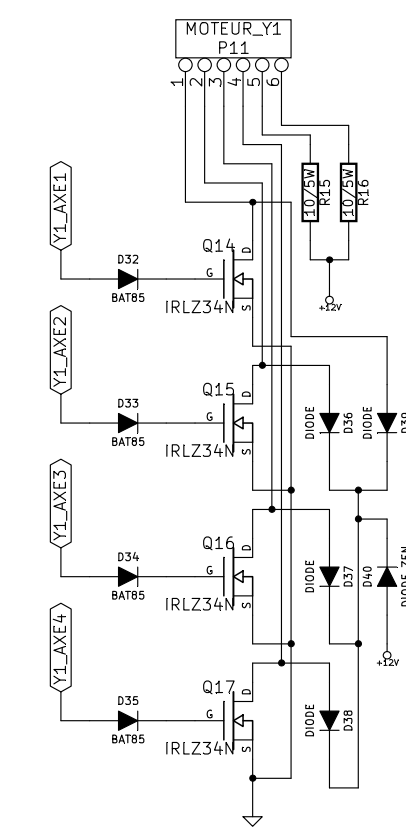
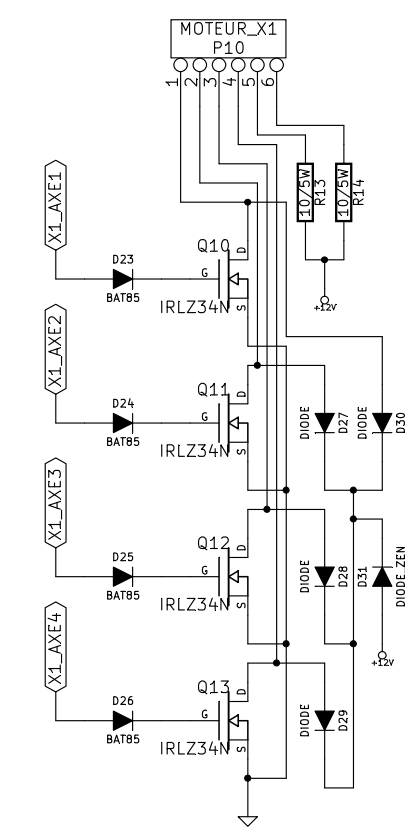
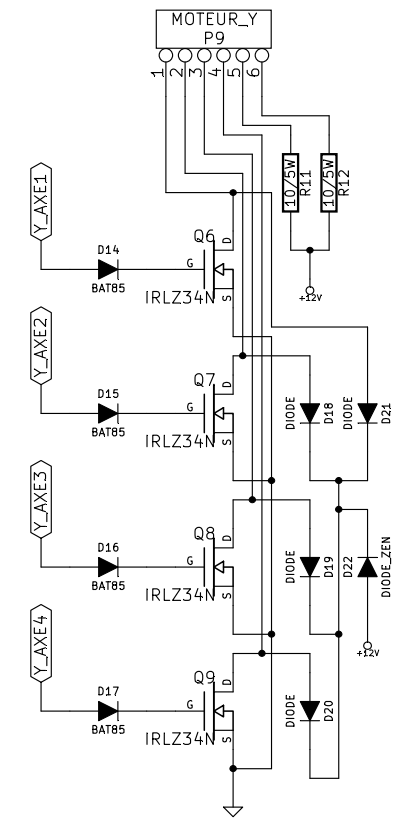
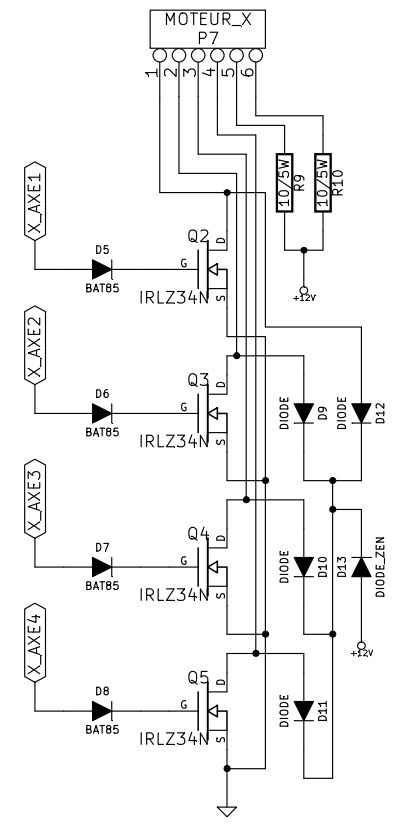
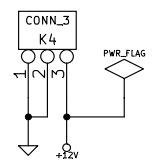
connecteur sub-D25  
1: horloge, pin10 subD25  
2: chauffe man/pc, pin12 subD25  
3: signal chauffe pc, pin16 subD25  
4: signal de chauffe, pin11 subD25  
5: moteur on, pin17 subD25

INVERSEUR  
chauffe on off  
pin2-> pin1 ou pin3

connecteur sub-D25  
1: dirX1, pin8 subD25  
2: stepX1, pin9 subD25  
3: dirY1, pin6 subD25  
4: stepY1, pin7 subD25  
5: dirX2, pin4 subD25  
6: stepX2, pin5 subD25  
7: dirY2, pin2 subD25  
8: stepY2, pin3 subD25

ALIM FIL  
1: alim 30v -  
2: alim 30v +, fil+  
3: fil-

<b>Ludovic Mercet</b>	
File: cnc4ax.sch	
Sheet: /	
<b>Title: Interface CNC 4 AXES</b>	
Size: A4	Date: 4 feb 2011
KiCad E.D.A. eschema (2010-12-18 BZR 2668)-stable	
Rev:	Id: 1/2



<b>Ludovic Mercet</b>		
File: puissance.sch		
Sheet: /puissance/		
<b>Title: Interface CNC 4 AXES</b>		
Size: A4	Date: 4 feb 2011	Rev:
KiCad E.D.A. eschema (2010-12-18 BZR 2668)-stable		Id: 2/2